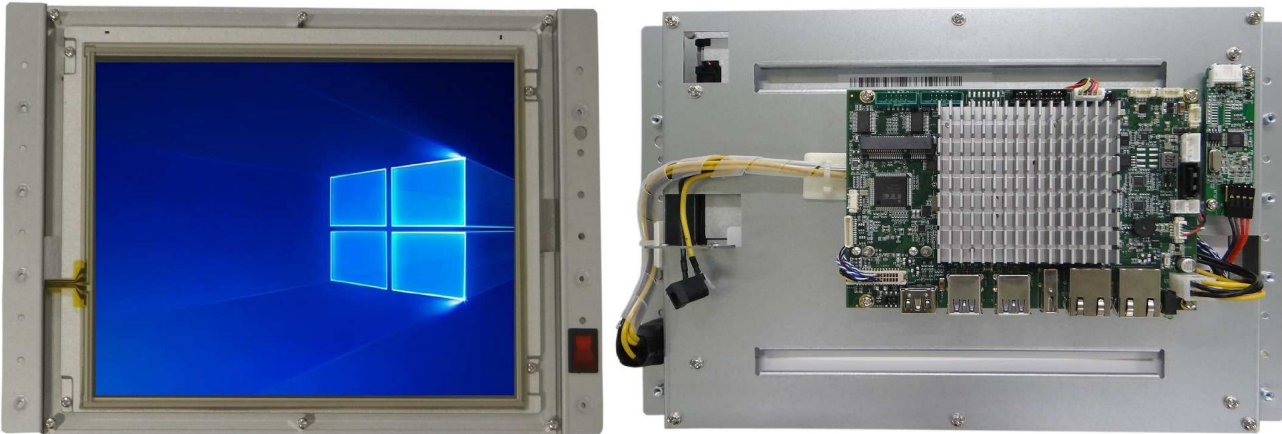


VOX-104-TS-E4/ VOX-104-TS-A4/VOX-104-TS B4



Specifications

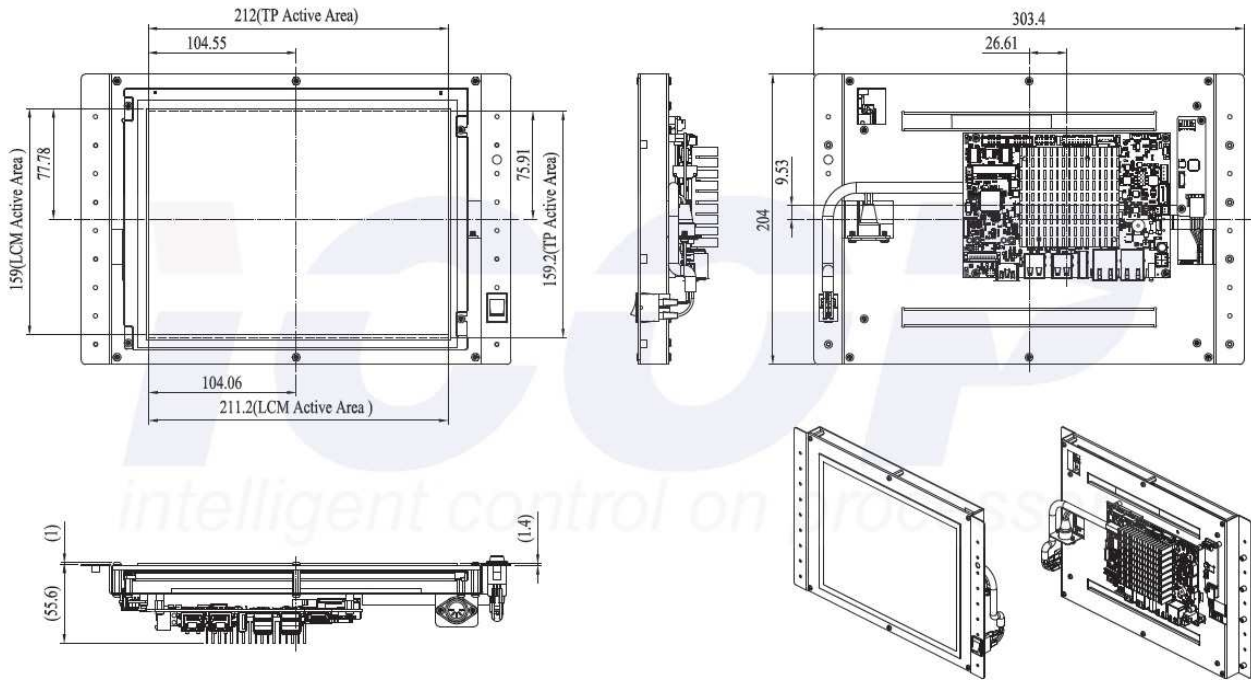
| | | | | |
|---------------------------|---|-----------------------|--|--|
| | Type | SVGA TFT-LCD | | |
| | Size | 10.4" | | |
| LCD Display | Resolution (Pixel) | 800 x 600 | | |
| | Brightness | 400 cd/m ² | | |
| | Backlight life | 50,000 hours | | |
| | Touch Screen Type | Analog Resistive | | |
| Processor | Intel® Atom™ x5-E8000 | 2.00GHz (Burst) | 1.04GHz Quad Core | |
| | Intel® Pentium® N3710 | 2.56GHz (Burst) | 1.6GHz Quad Core (Build to order) | |
| | Intel® Celeron® N3160 | 2.24GHz (Burst) | 1.6GHz Quad Core (Build to order) | |
| System RAM | 4GB DDR3L onboard | | | |
| BIOS | UEFI BIOS | | | |
| Expansion | MiniPCIe Slot x1, SIM Card Holder x1 | | | |
| Display | Intel® HD Graphics, HDMI & VGA (As Dual Display) | | | |
| Ethernet | RTL8111H GbE x2 | | | |
| Audio | HD Audio Realtek ALC662VD | | | |
| Disk Support | mSATA & SATA-DOM | | | |
| Serial Ports | RS232 x2 (COM1&2 in top side) | | RS232/RS485 x2 (COM3&4 in rear side) | |
| USB Ports | USB3.0 x4 | | USB2.0 x1 | |
| I/O Interface | I ² C x1 | | 16-bit GPIO x1 | |
| Power Requirement | 12V standard input from internal 4-pin power connector support for ATX mode | | | |
| Operating Temperature | 0°C to +50°C | | | |
| Dimensions (W x H x D) mm | 303.4 x 204 x 56.6 | | | |
| OS Support | Windows 10 (64-bit), Windows 7 (64-bit), Linux | | | |

Ordering Information

| Part Number | Description |
|----------------------------|---|
| VOX-104-TS-E4 | 10.4" Open Frame Panel PC with LCD Panel, Touch Screen, USB Touch Controller, IBW-35-E4 (Intel® x5-E8000), 12Vdc input. |
| VOX-104-TS-A4 (BTO) | 10.4" Open Frame Panel PC with LCD Panel, Touch Screen, USB Touch Controller, IBW-35-A4 (Intel® N3710), 12Vdc input. |
| VOX-104-TS-B4 (BTO) | 10.4" Open Frame Panel PC with LCD Panel, Touch Screen, USB Touch Controller, IBW-35-B4 (Intel® N3160), 12Vdc input. |
| CABLE-SET-IBW35 | Cable set for IBW-35 (RS232 x4, GPIO x1, Audio x3) |
| POWER-12V3.34A-MW | AC/DC 40W power adapter for VOX with Intel processor |
| POWERCABLE(A) / (G) | AC POWER CABLE (A=American; G=Euro) |

VOX-104-TS-E4/ VOX-104-TS-A4/VOX-104-TS B4

Dimension



Board Outline

