



## **EB-3362-I**

with

**DM&P Vortex86DX3  
1GHz processor**

Version 1.0

# Copyright

The information in this manual is subject to change without notice for continues improvement in the product. All rights are reserved. The manufacturer assumes no reasonability for any inaccuracies that may be contained in this document and makes no commitment to update or to keep current the information contained in this manual.

No part of this manual may be reproduced, copied, translated or transmitted, in whole or in part, in any form or by any means without the prior to written permission of ICOP Technology Inc.

Copyright © 2018 ICOP Technology Inc

# Trademarks Acknowledgement

Vortex86DX3™ is the registered trademark of DM&P Electronics Inc. Other brand names and product names that appear in this document are the properties and registered trademarks of their respective owners. All names mentioned herewith are served for identification purpose only.

# Revision History

Revision	Date	Remark
1.0	June 1, 2018	First version release

# Contents

<b>1</b>	<b>General Information.....</b>	<b>1</b>
1.1	Overview.....	1
1.2	Block Diagram .....	1
1.3	Specifications.....	2
1.4	Ordering Information.....	3
<b>2</b>	<b>Hardware Information.....</b>	<b>5</b>
2.1	Dimension.....	5
2.2	Product Outline.....	6
2.3	Pin Assignment for COM Ports .....	9
<b>3</b>	<b>Software Resources .....</b>	<b>12</b>
3.1	ICOP Technical Resource Website.....	12
<b>4</b>	<b>Technical support .....</b>	<b>13</b>
4.1	BIOS Introduction.....	13
4.1.1	Storage Selection.....	13
4.1.2	Serial Ports Switching.....	14
	<b>Technical Support Directly from ICOP .....</b>	<b>15</b>
	<b>User Manual Feedback .....</b>	<b>16</b>
	<b>Warranty.....</b>	<b>17</b>

# 1 General Information

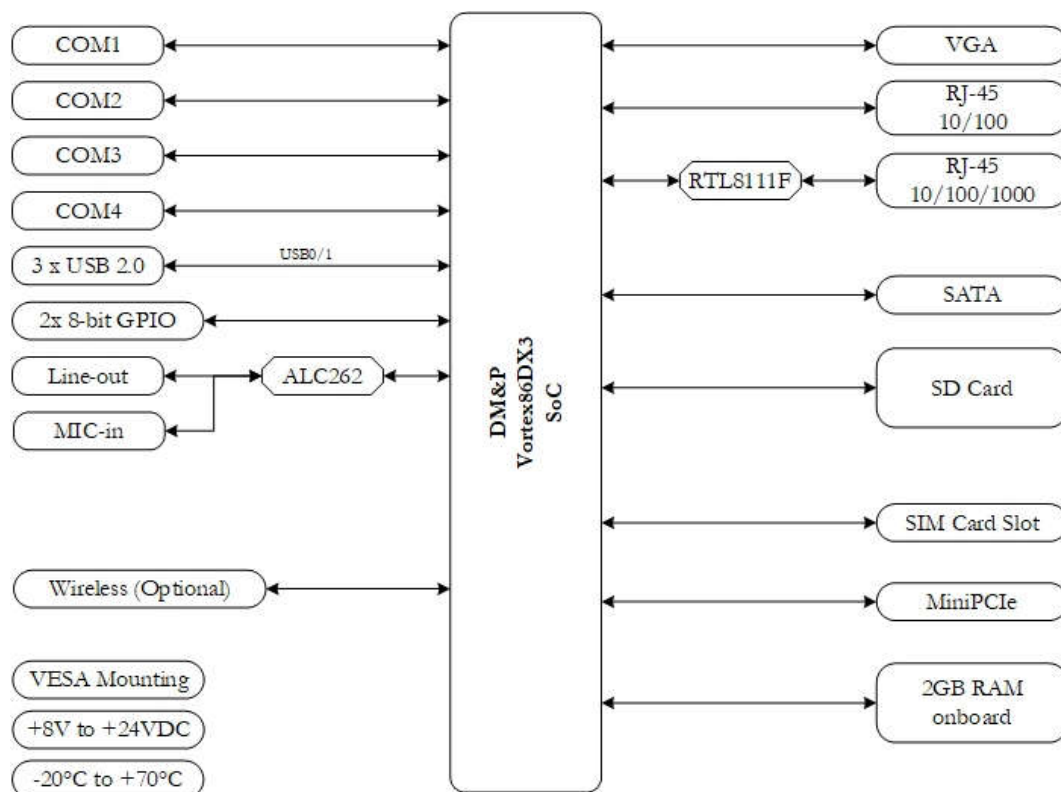
## 1.1 Overview

EB-3362-I series, based on Vortex86DX3 SoC with 2GB DDR3 RAM onboard memory, is designed to provide stable computing performance with low-power consumption benefit.

EB-3362-I series equipped with VGA, LAN, GLAN, 4USBs, 4COMs, SATA, SD card slot, GPIO, and wireless antenna (optional), is configured to meet a large variety of applications.

EB-3362-I can operate in temperature from  $-20^{\circ}\text{C}$  to  $70^{\circ}\text{C}$  and support +8 to +24VDC and can be configured as industrial automation, process control, automotive controller, AVL, medical device, and machine control, etc.

## 1.2 Block Diagram



## 1.3 Specifications

Part Number	EB-3362-L2851C3P-I	EB-3362-C2G2SIM-I	EB-3362-L2C2851G1E-I
Processor	DM&P SoC CPU Vortex86DX3 - 1GHz		
RAM	2GB DDR3 Onboard		
BIOS	AMI BIOS		
Display	VGA: Maximum resolution up to 1920x1080 @ 60Hz		
LAN	10/100Mbps LAN x1 10/100/1000Mbps LAN x1	10/100Mbps LAN x1	10/100Mbps LAN x1 10/100/1000Mbps LAN x1
USB	External x3 Internal x1 (for wireless dongle)	External x3	External x3 Internal x1 (for wireless dongle)
SD Slot	1	1	---
Mini PCIe	1	1	---
SIM Card Slot	---	1	---
SATA	---	1	1
RS232	3	2	2
RS485	1	---	1
GPIO	--	8-bit GPIO x2	8-bit GPIO x1
Dimension	115 x 115 x 35mm		
Power Requirement	+8 to +24VDC		
Weight	510g		
Operating Temperature	-20°C to +70°C		
Auto Power On	Support		
VESA Mounting	75 x75mm 100 x100mm		
O/S Support	Windows7 Windows Embedded Standard 7 Windows Embedded Compact 7 Windows Embedded CE6.0 Windows XP Professional Windows Embedded 2009	Linux DOS POS Ready (WePOS) QNX VxWorks Free BSD	

## 1.4 Ordering Information

### Box System

Part Number	Description
EB-3362-L2851C3P-I	Vorxtex86DX3 with 2GB RAM/LAN/GLAN/4USB/SD/MINIPCIE/4COM
EB-3362-C2G2SIM-I	Vorxtex86DX3 with 2GB RAM/LAN/3USB/SD/MINIPCIE/SIM/SATA/2COM/16GPIO
EB-3362-L2C2851G1E-I	Vorxtex86DX3 with 2GB RAM/LAN/GLAN/4USB/SATA/3COM/8GPIO

### Mini PCIeDOM

Part Number	MLC	SLC	0°C to 70°C	-40°C to +85°C
IMPeDOM-8G-M	V		V	
IMPeDOM-16G-M	V		V	
IMPeDOM-32G-M	V		V	
IMPeDOM-64G-M	V		V	
IMPeDOM-8G-M-X	V			V
IMPeDOM-16G-M-X	V			V
IMPeDOM-32G-M-X	V			V
IMPeDOM-64G-M-X	V			V
IMPeDOM-8G-IS		V	V	
IMPeDOM-16G-IS		V	V	
IMPeDOM-32G-IS		V	V	
IMPeDOM-64G-IS		V	V	
IMPeDOM-8G-IS-X		V		V
IMPeDOM-16G-IS-X		V		V
IMPeDOM-32G-IS-X		V		V
IMPeDOM-64G-IS-X		V		V

\*Mini PCIe DoM is strongly recommended if Windows 7 operating system is required.

Wireless Dongle

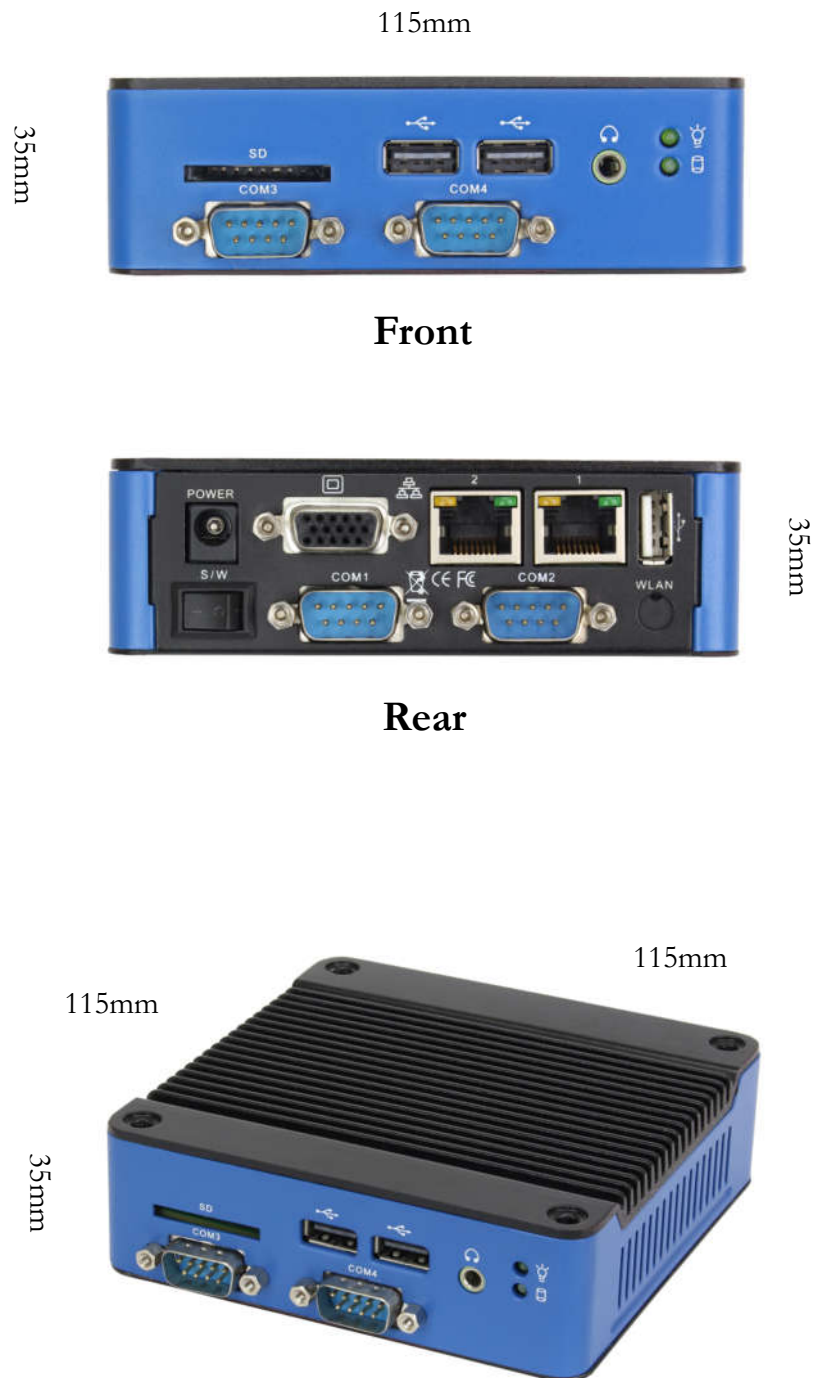
Part Number	Description
USB-WLAN-IPEX-KIT	Internal Wireless USB Adapter
WIRELESS-ANTENNA-157MM	2dBi Dipole Antenna for Wireless USB Adapter, 157mm
WIRELESS-CABLE-150MM	150mm Cable for Antenna





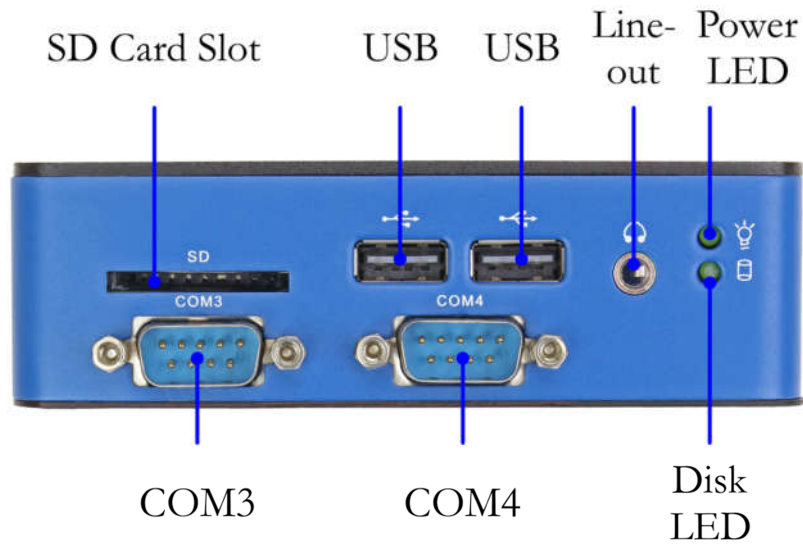
## 2 Hardware Information

### 2.1 Dimension

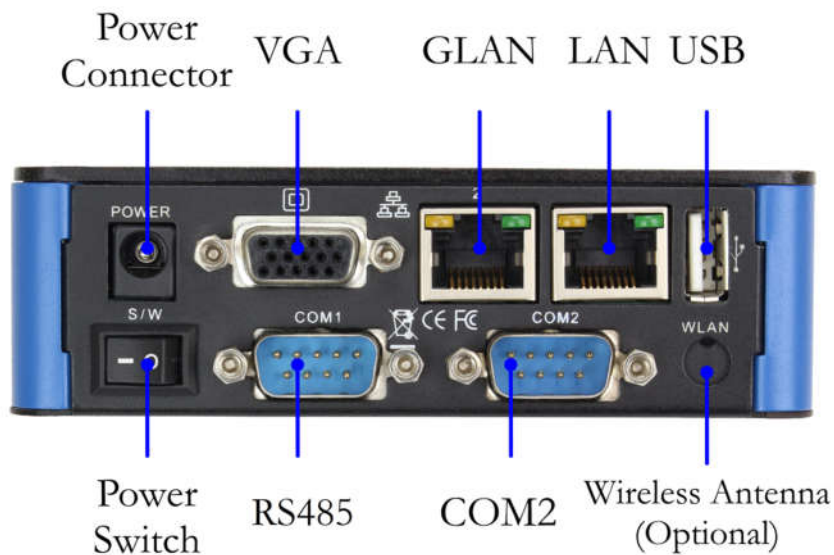


## 2.2 Product Outline

### EB-3362-L2851C3P-I

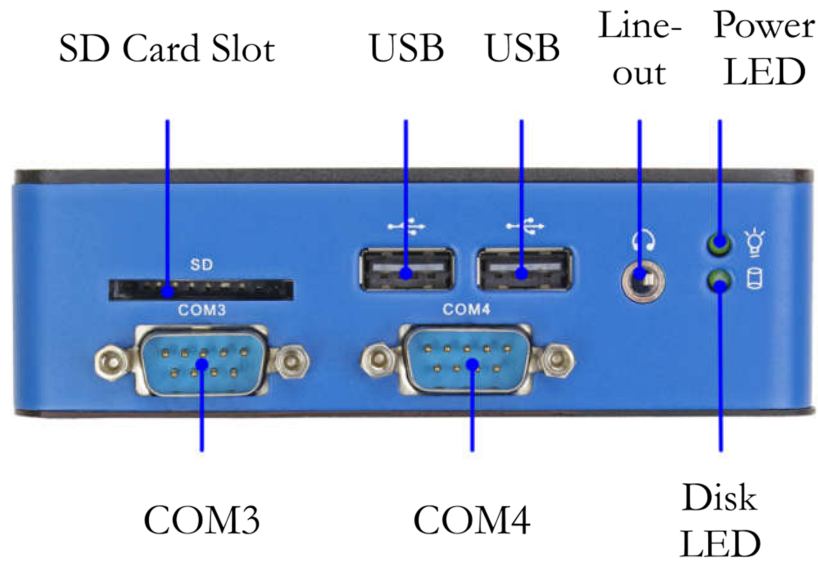


Front

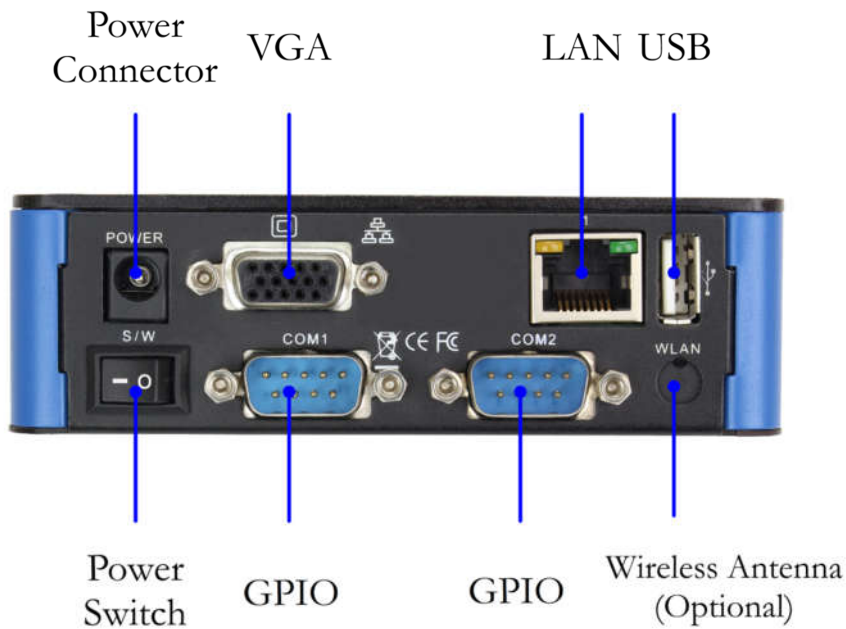


Rear

**EB-3362-C2G2SIM-I**

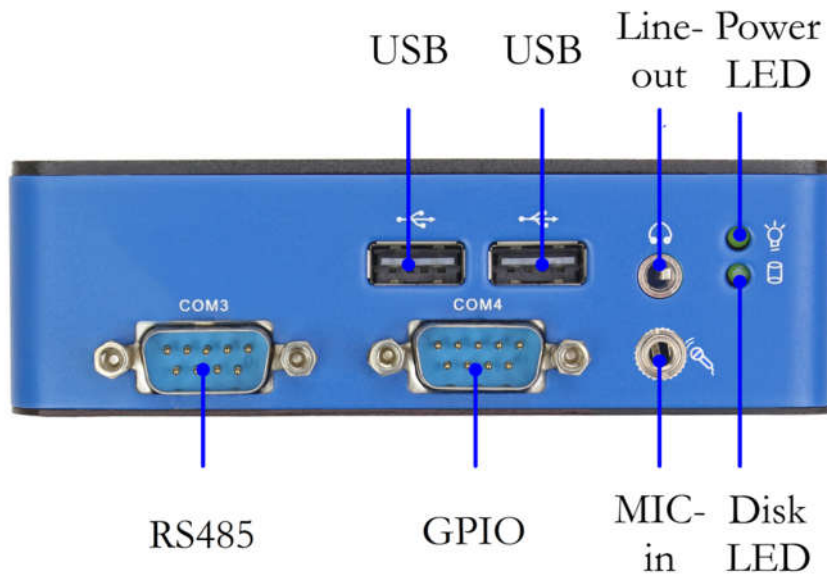


**Front**

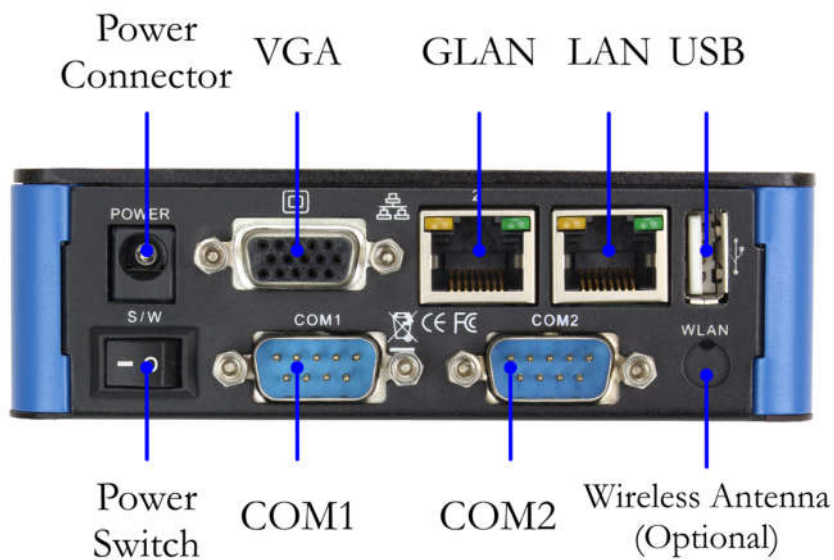


**Rear**

### EB-3362-L2C2851G1E-I



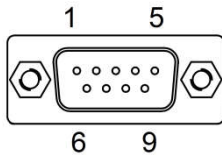
Front



Rear

## 2.3 Pin Assignment for COM Ports

### EB-3362-L2851C3P-I

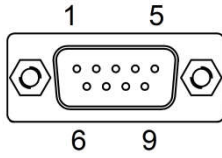


#### COM1

Pin#	Signal Name	Pin#	Signal Name
1	RS485-	2	RS485+
3		4	
5		6	
7		8	
9			

#### COM2/COM3/COM4

Pin#	Signal Name	Pin#	Signal Name
1	DCD	2	RXD
3	TXD	4	DTR
5	GND	6	DSR
7	RTS	8	CTS
9	RI		

**EB-3362-C2G2SIM -I****COM1**

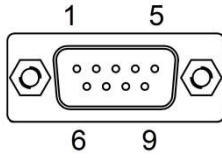
Pin#	Signal Name	Pin#	Signal Name
1	GP40	2	GP44
3	GP41	4	GP45
5	GND	6	GP46
7	GP42	8	GP47
9	GP43		

**COM2**

Pin#	Signal Name	Pin#	Signal Name
1	GP50	2	GP54
3	GP51	4	GP55
5	GND	6	GP56
7	GP52	8	GP57
9	GP53		

**COM3/COM4**

Pin#	Signal Name	Pin#	Signal Name
1	DCD	2	RXD
3	TXD	4	DTR
5	GND	6	DSR
7	RTS	8	CTS
9	RI		

**EB-3362-L2C2851G1E-I****COM1/COM2**

Pin#	Signal Name	Pin#	Signal Name
1	DCD	2	RXD
3	TXD	4	DTR
5	GND	6	DSR
7	RTS	8	CTS
9	RI		

**COM3**

Pin#	Signal Name	Pin#	Signal Name
1	RS485-	2	RS485+
3		4	
5		6	
7		8	
9			

**COM4**

Pin#	Signal Name	Pin#	Signal Name
1	GP70	2	GP74
3	GP71	4	GP75
5	GND	6	GP76
7	GP72	8	GP77
9	GP73		

## 3 Software Resources

### 3.1 ICOP Technical Resource Website

In the following website, you will find our latest user manuals, including OS support resources systems such as evaluation images for Windows Embedded Compact 7, Windows Embedded CE 6.0, Windows Embedded CE 5.0, and Windows XP Embedded (Win XPe). For details, please kindly visit the following link: <http://tech.icop.com.tw/>



## 4 Technical support

### 4.1 BIOS Introduction

Featuring AMI BIOS, EB-3362-I is a one stable module board for your applications. In this section, we will introduce you some basic AMI BIOS setting such as selecting storage and selecting COM port function.

#### 4.1.1 Storage Selection

Main storage is set to SATA DoM as default on EB-3362-I. If SD card is required as main storage, please follow the following to change BIOS setting:

**Path: Advanced > IDE Configuration > Primary IDE Pin Select > SD Card**

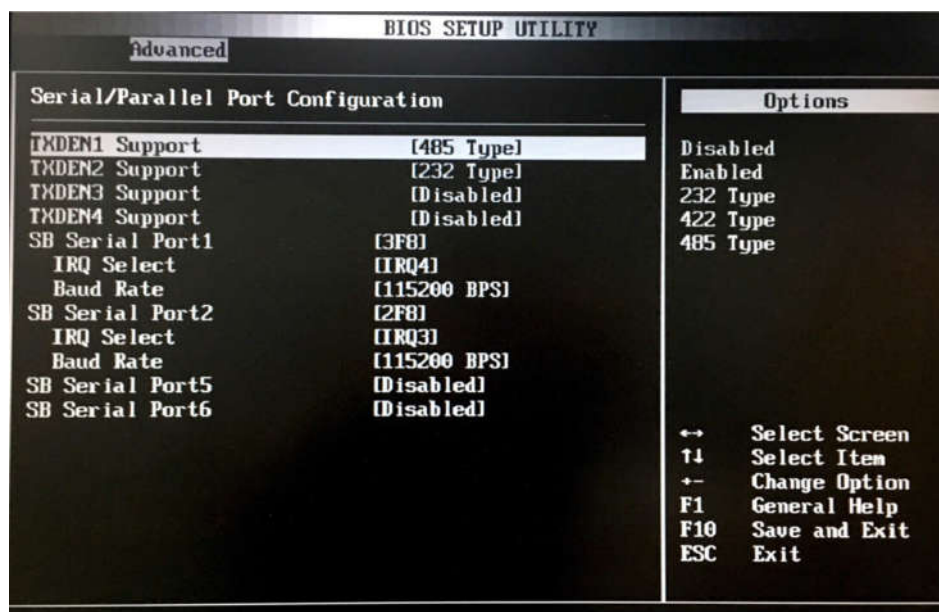


#### 4.1.2 Serial Ports Switching

Serial ports are set RS232 or RS485 as default on EB-3362-I. If you would like to change serial port setting, please follow the following to change BIOS setting:

**Path: Advanced > Serial/Parallel Port Configuration > TXDEN**

Support > [232 Type] or [485 Type]



## Technical Support Directly from ICOP

To offer you more accurate and specific solutions for the technical situations you have, please prepare the information below before contacting ICOP:

- Product name and serial number
- Description of the H/W environment (i.e.: working temperature, I/O board information, information of connection between main board and IO boards, and/or other devices, etc)
- Description of the S/W environment (i.e: operating system, version,

application software, and/or other related information, etc.)

—A detailed description and photos of the technical situation

—Any complement or technical situations you want ICOP more focusing on

## User Manual Feedback

To make this user manual more complete, if you have any comments or feedbacks to this manual, please feel free to write to [info@icop.com.tw](mailto:info@icop.com.tw) or contact your ICOP sales representative.

## Warranty

This product is warranted to be in good working order for a period of one year (12 months) from the date of purchase. Should this product fail to be in good working order at any time during this period, we will, at our option, replace or repair it without additional charge except as set forth in the following terms. This warranty does not apply to products damaged by misuse, modifications, accident or disaster. Vendor assumes no liability for any damages, lost profits, lost savings or any other incidental or consequential damage resulting from the use, misuse of, originality to use this product. Vendor will not be liable for any claim made by any other related party. Return authorization must be obtained from the vendor before returned merchandise is accepted. Authorization can be obtained by calling or faxing the vendor and requesting a Return Merchandise Authorization (RMA)

number. Returned goods should always be accompanied by a clear problem description. Should you have questions about warranty and RMA service, please contact us directly.

### **ICOP Technology Inc.**

Address: No. 15 Wugong 5th Road, Xinzhuang Dist.

New Taipei City, Taiwan (R.O.C.) 24890

TEL: +886-2-8990-1933

FAX: +886-2-8990-2045

Mail: [info@icop.com.tw](mailto:info@icop.com.tw)

Website: <http://www.icop.com.tw>

